

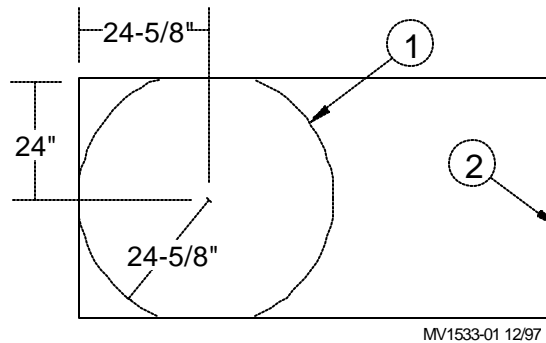
# Cold Weather Installation of 48" Turbo Fan Cones

**Introduction:** During Cold Weather, the Plastic Turbo Fan Cones contract in diameter making installation difficult. Chore-Time recommends using one of the following options when the temperature is below 60° F.

**Option 1:** Just prior to installation, warm the Cones to at least 70° F. The warmer the better. On a cool morning, placing the Cones in the sun rather than in the shade can make the difference between an easy or a difficult installation.

**Option 2:** Make a plywood plug to expand the Cone before installing the Cone on the Fan.

1. Cut a plug out of a sheet of 1/2" or 3/4" plywood (**Figure 1**).

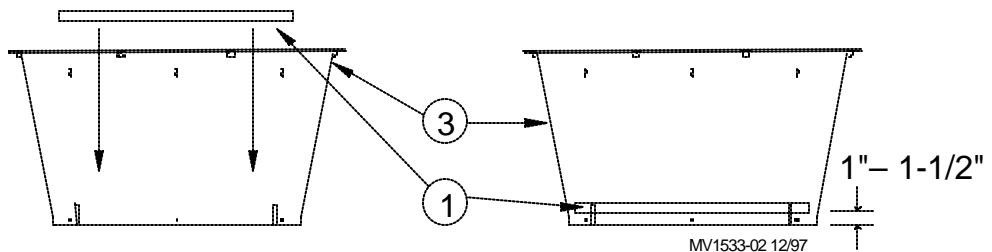


MV1533-01 12/97

**Figure 1. Plug Cut Out**

2. Insert the Plug into the Cone.

Position the Plug within 1"– 1-1/2" from the small end of the Cone (**Figure 2**).



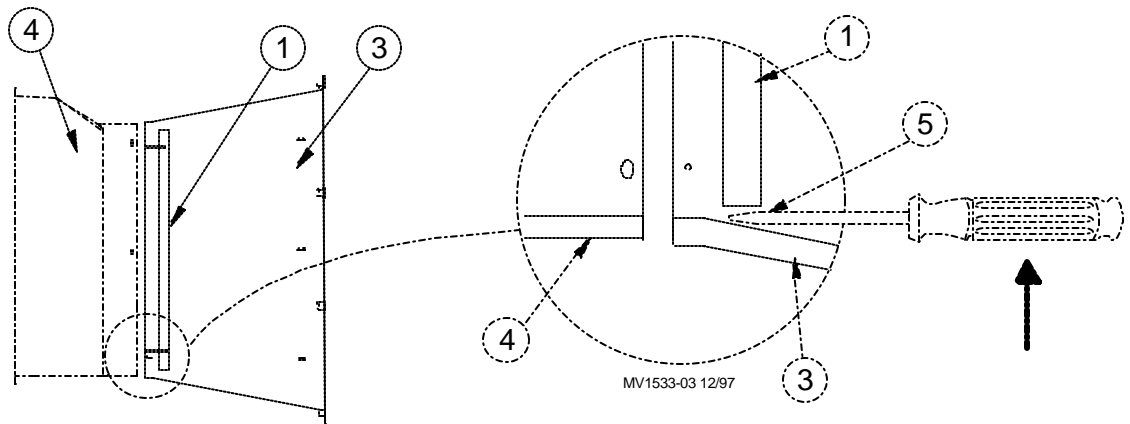
MV1533-02 12/97

**Figure 2. Plug Location In Cone**

Item	Description
1	Plug Cut Out
2	1/2" or 3/4" Plywood
3	Cone

3. Install Cone with plug, on Fan (**Figure 3**).

It may be necessary to use a screw driver to pry the Cone on at one of the flat spots in the plug.



Item	Description
1	Plug Cut Out
3	Cone
4	Fan Shroud
5	Insert Screw Driver Here

**Figure 2. Plug Location In Cone**

4. Push the Cone onto the Fan Shroud—forcing the Plug out of the cone.
5. Spin the Cone until the holes in the Cone line up with the holes in the Fan Shroud.

Fasten with the necessary hardware.