

Miscellaneous Components

Outlet Drops

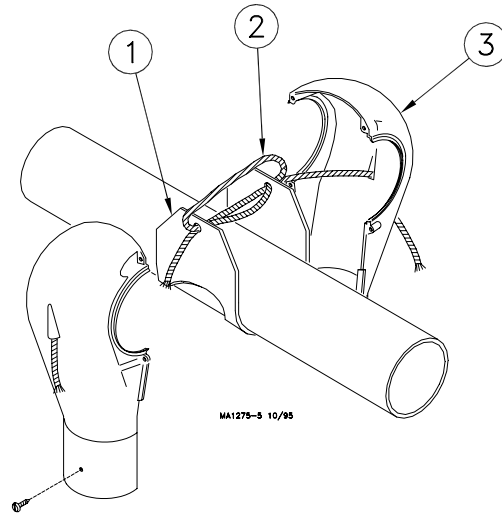
Model 55 Outlet Drop: **8470**

Model 75 Outlet Drop: **6682**

Model 90/HMC Outlet Drop: **7483**

Manufactured
to 10/2000

| | | 8470 | 6682 | 7483 |
|------|------------------------|------------------|------------------|------------------|
| | | Mfg'd to 10/2000 | Mfg'd to 10/2000 | Mfg'd to 10/2000 |
| Item | Description | Part No | Part No | Part No |
| 1 | Slide | 8471 | 6681 | 7481 |
| 2 | Rope | 3085-4 | 3085-4 | 3085-4 |
| 3 | Drop Half | 8468 | 6673 | 7324 |
| -- | Indicator Ball (red) | 24393-1 | 24393-1 | 24393-1 |
| -- | Indicator Ball (green) | 24393-2 | 24393-2 | 24393-2 |



Model 55 Outlet Drop: **43455C**

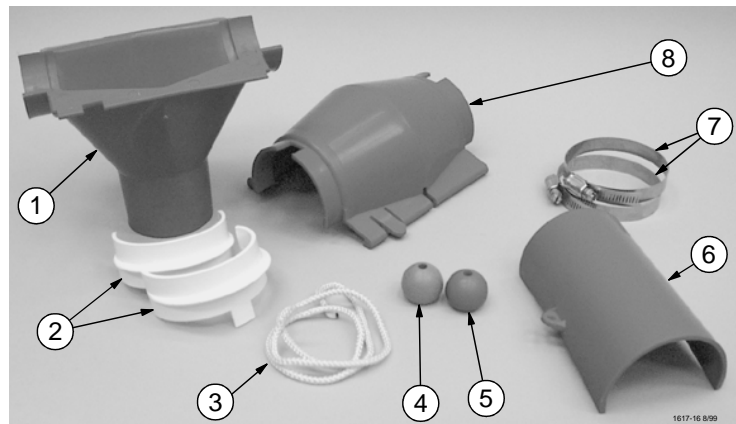
Model 55 Outlet Drop: **43455R**

Model 75 Outlet Drop: **43475C**

Model 75 Outlet Drop: **43475R**

Model 90/HMC Outlet Drop: **43490C**

Model 90/HMC Outlet Drop: **43490R**



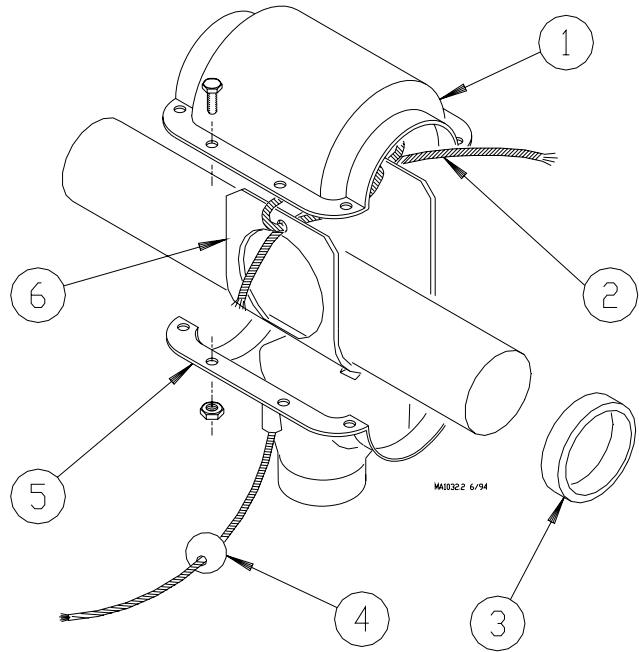
Manufactured
12/1999 to Present

| | | 43455C | 43455R | 43475C | 43475R | 43490C | 43490R |
|------|----------------------|---------------|---------------|---------------|---------------|---------------|---------------|
| Item | Description | Part No | Part No | Part No | Part No | Part No | Part No |
| 1 | Outlet Bottom | --- | --- | --- | --- | --- | --- |
| 2 | Retainer | --- | 42466 | --- | 42467 | --- | 42468 |
| 3 | Cord (10 Feet) | 3085-4 | 3085-4 | 3085-4 | 3085-4 | 3085-4 | 3085-4 |
| 4 | Green Indicator Ball | 24393-2 | 24393-2 | 24393-2 | 24393-2 | 24393-2 | 24393-2 |
| 5 | Red Indicator Ball | 24393-1 | 24393-1 | 24393-1 | 24393-1 | 24393-1 | 24393-1 |
| 6 | Rotary Slide | --- | --- | --- | --- | --- | --- |
| 7 | Clamp | 8643 | --- | 6183 | --- | 6183 | --- |
| 8 | Outlet Top | --- | --- | --- | --- | --- | --- |

Model 108 Outlet Drop: 34358

Model 125 Outlet Drop: 43782

| Item | Description | 34358 | 13782 |
|------|----------------------------------|----------------------------------|------------------------|
| | | Mfg'd 1/1994 to Present | Mfg'd to 10/1995 |
| 1 | Top Half | 13780 | 13780 |
| 2 | Rope | 3085-4 | 3085-4 |
| 3 | Ring Adapter (for PVC systems) | 34630 | --- |
| | Ring Adapter (for Steel systems) | 34360 | --- |
| 4 | Indicator Ball (red) | 24393-1 | 24393-1 |
| | Indicator Ball (green) | 24393-2 | 24393-2 |
| 5 | Drop Half Bottom | 13781 | 13781 |
| 6 | Slide | 34359 | 8328 |

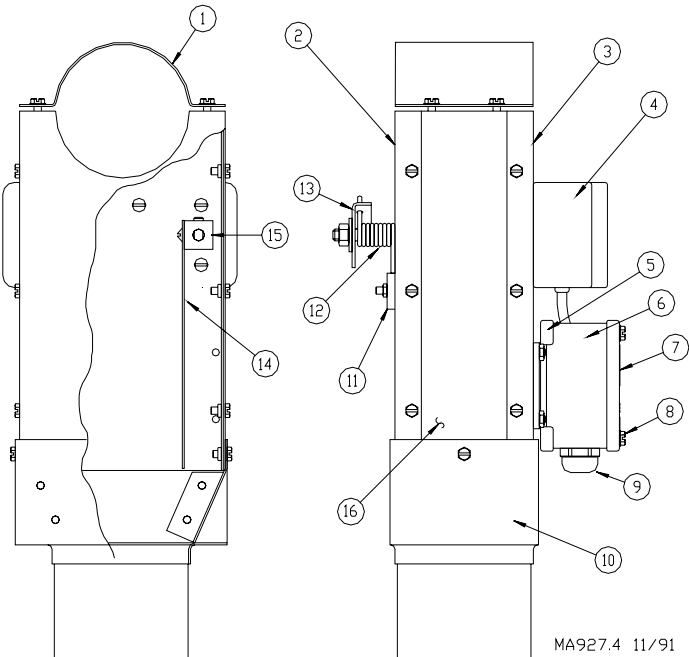


Model 75 Electric Outlet Drop: 24174

Model 90 Electric Outlet Drop: 28417

Manufactured
8/1993 to Present

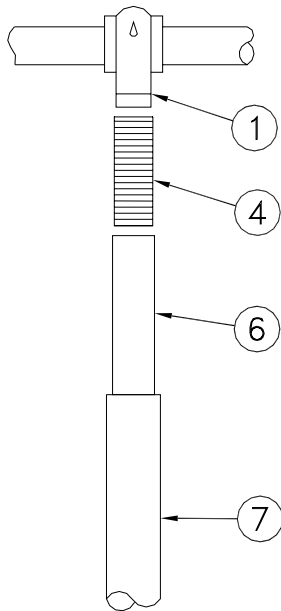
| Item | Description | 24174 | 28417 |
|------|-----------------------------|---------|---------|
| | | Part No | Part No |
| 1 | Pipe Cover | 29030 | 28409 |
| 2 | Front Panel | 29031 | 28406 |
| 3 | Back Panel | 29032 | 28407 |
| 4 | Torque Box | 28413 | 28413 |
| 5 | Mounting Cover | 6956 | 6956 |
| 6 | Terminal Box | 24280 | 24280 |
| 7 | Box Cover | 6776 | 6776 |
| 8 | Twin Helix Screw | 6980 | 28075 |
| 9 | 1/2" Liquid Tight Connector | 23779 | 23779 |
| 10 | Transition Assembly | 29020 | 29020 |
| 11 | Adjustment Plate | 28440 | 28440 |
| 12 | Torsion Spring | 28414 | 28414 |
| 13 | Torsion Spring Arm | 28415 | 28415 |
| 14 | Paddle | 28410 | 28410 |
| 15 | Paddle Support | 28412 | 28412 |
| 16 | Side Panel | 28408 | 28408 |



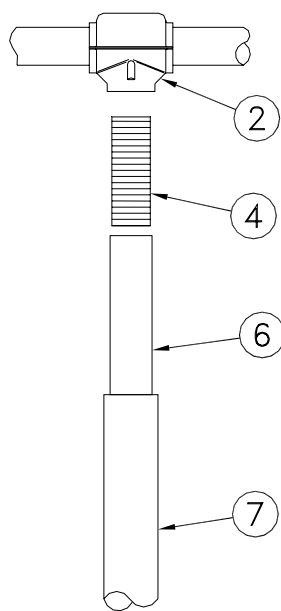
Drop Tubes

| | | Model 55 | Model 75 | Model 90 | Model HMC | Model 108 | Model 125 |
|------|----------------------------|------------------|------------------|------------------|------------------|------------|------------|
| Item | Description | Part No | Part No | Part No | Part No | Part No | Part No |
| 1 | Outlet Drop Kit | 8470 | 6682 | 7483 | 8483 | --- | --- |
| 2 | Outlet Drop Kit | --- | --- | --- | --- | 34358 | 13782 |
| 3 | Drop (Funnel) | 6091 | 6091 | 6091 | 6091 | 13803 | 13803 |
| 4 | Flexible Drop Tube | --- | --- | --- | --- | --- | --- |
| | Small Galv. (50') | 7497 | 7497 | 7497 | 7497 | --- | --- |
| | Small Galv. (18") | 1931 | 1931 | 1931 | 1931 | --- | --- |
| | Large Galv. (50') | 6383 | 6383 | 6383 | 6383 | --- | --- |
| | Large Galv. (18") | 6382 | 6382 | 6382 | 6382 | --- | --- |
| | Stainless Steel (9.5") | 13266 | 13266 | 13267 | 13267 | 13804 | 13804 |
| | Stainless Steel (25') | 13265-1 | 13265-1 | 13265-2 | 13265-2 | 13265-3 | 13265-3 |
| 5 | Flexible Drop Tube (9.5") | 13267 | 13267 | 13267 | 13267 | 13804 | 13804 |
| 6 | Plastic Drop Tube (12') | 1932 | 1932 | 6381 | 6381 | 9900 | 9900 |
| 7 | Telescoping Drop Tube (6') | 14366-1932 | 14366-1932 | 14366-6381 | 14366-6381 | 14366-9900 | 14366-9900 |

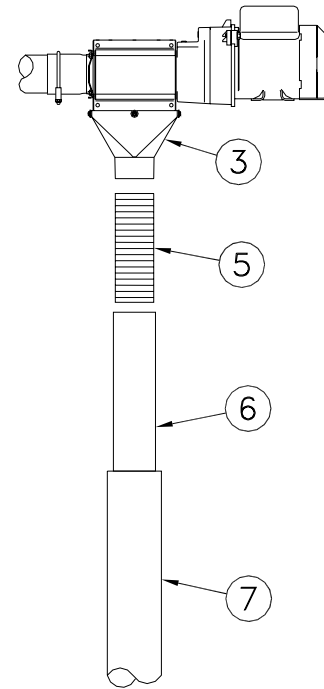
MODEL 55, 75, 90, & HMC



MODEL 108 & 125



ALL MODELS



MA1275-13 11/95

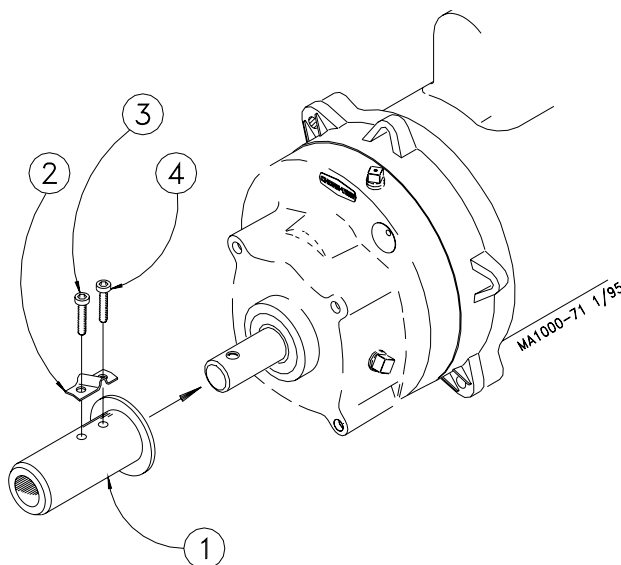
Driver Assemblies

Model 75/HMC Driver Assembly: 6862

Model 90 Driver Assembly: 6861

Model 108 Driver Assembly: 30313

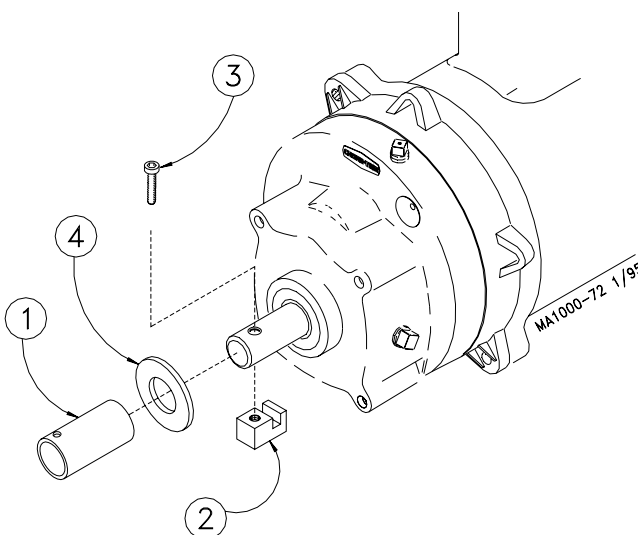
Model 125 Driver Assembly: 8103



| | | 6862 | 6861 | 30313 | 8103 |
|-------------|-----------------------------|----------------|----------------|----------------|----------------|
| Item | Description | Part No | Part No | Part No | Part No |
| 1 | Driver Weldment | 7704 | 7706 | 30312 | 8104 |
| 2 | Anchor Clamp | 7703 | 7703 | 7703 | 7703 |
| 3 | 5/16-18 Socket Hd Cap Screw | 6850-3 | 6850-3 | 6850-1 | 6850-1 |
| 4 | 5/16-18 Socket Hd Cap Screw | 6850-4 | 6850-4 | 6850-2 | 6085-2 |

Model 55 Driver Assembly: 46458

| Item | Description | Part No |
|-------------|-----------------------|----------------|
| 1 | Drive Tube | 2920 |
| 2 | Drive Block | 4642 |
| 3 | 1/4-20 x 1-1/2" Screw | 5083-8 |
| 4 | Flat Washer | 1484 |



Model 90 Driver Assembly: 47722

Model 108 Driver Assembly: 34349

| | | 34349 | 47722 |
|-------------|-----------------------------|----------------|----------------|
| Item | Description | Part No | Part No |
| *1 | Agitator Bar | 34352 | 47717 |
| 2 | Spring Pin | 6022 | 2960-8 |
| 3 | 5/16-18 Socket Hd Cap Screw | 6850-1 | 6850-3 |
| 4 | 5/16-18 Socket Hd Cap Screw | 6850-2 | 6850-4 |
| 5 | Anchor Clamp | 7703 | 7703 |
| 6 | Driver Weldment | 34350 | 25705 |

***Item is supplied with Screener in the Model 108 and is not supplied with 34349 Driver Assembly.**

