



150 lb. Hopper Assembly

And Parts list

The 150 lb. Hopper Assembly is **NOT designed for single-point suspension**. The upper cross brace is designed for supporting the drop tube **ONLY**. This Hopper Assembly is to have **Two-point** suspension as stated below.

Assembly

1. If Hopper Assembly was ordered with lower hopper switch, assemble the switch to the machined hopper half. See **Figure 5**.
2. Assemble the 1/4-20 x 1-1/2" bolt to the brace with two 1/4-20 nuts. One nut should be assembled under the brace with the other on top. This bolt is to provide a place for the tube support assembly chain to be hooked. See **Figure 1**.
3. Assemble the 150 lb. hopper halves and brace as shown in **Figure 1**, using #14 x 5/8" screws (supplied in hardware package).
4. Assemble suspension angles and suspension braces around feeder line boot (single or twin), using 1/4-20 x 1/2" Hex bolts and nuts (supplied in hardware package). See **Figure 2**.

Note: The larger holes on the ends of the suspension angles need to be on the upper side of the assembly.

5. Assemble the twist lock collar to the top of the feeder line boot (single or twin) using 1/4-20 x 1/2" bolts and lock nuts (supplied in hardware package). See **Figure 2**.

Note: Installation for single boot applications may require a 9/32" hole to be drilled in one end of the boot to attach the twist lock collar. Bolt one end of the twist lock collar to the boot then mark and drill the second hole using the twist lock collar as a template.

6. Assemble the adjustment brackets to the suspension angles with 5/16-18 x 3/4" bolts and nuts (supplied in hardware package).
7. Two cable assemblies (cable with a sleeve clamp and a 5/32 thimble) are supplied with the suspension kit to support the hopper. Attach the cable assemblies to the adjustment brackets using the top holes of the adjustment brackets. See **Figure 2**.
8. Install two pulleys to the ceiling trusses directly above the feeder line where the hopper is to be located. The pulleys should be spaced 22" apart (11" from the center of the hopper in both directions). See **Figure 3**.

Suspend the Hopper

1. Attach the boot to the feeder line.
2. Route the two cable assemblies up and around the pulleys.
3. Level the boot with the feed line and clamp the cables to the main cable using 1 cable clamp per cable assembly.
4. Place the hopper on top of the twist lock collar and rotate the hopper 90 degrees into position.

Make sure the cables lay in the channels on the sides of the hopper for support.

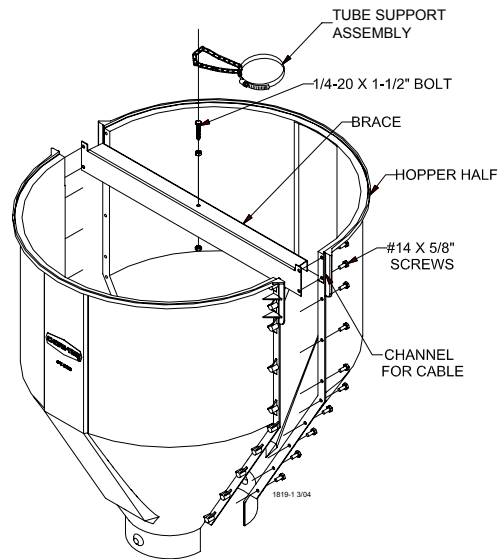


Figure 1.

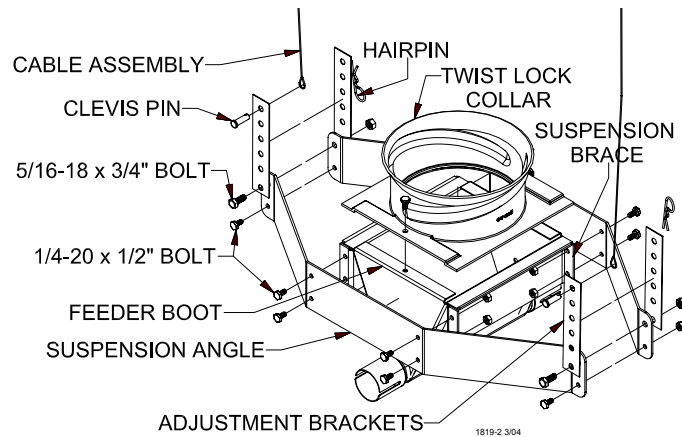


Figure 2.

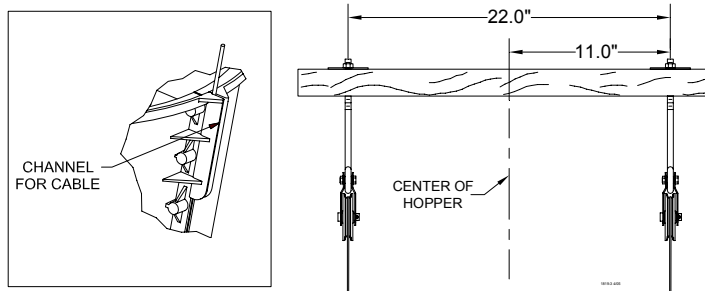


Figure 3.

Hopper Level Control Installation

In poultry applications switches may be placed in more than one hopper to assure that no hopper empties before the control unit hopper requires feed. All switches must be wired in parallel so any one switch can start the system.

Figure 4 offers suggested minimum and maximum height for switch mounting locations. This example shows possible low and high mounting locations for the switch mounting bracket assembly. This figure is only intended as a guide and different applications may require varied switch mounting heights.

To mount the switch bracket assembly: Place the switch mounting bracket in the desired location centered on the flat switch channel. Drill two $9/32$ " holes using the switch mounting bracket as a template and attach to the hopper with the hardware provided.

The Hopper Level Control located at the end of the delivery system should be mounted low.

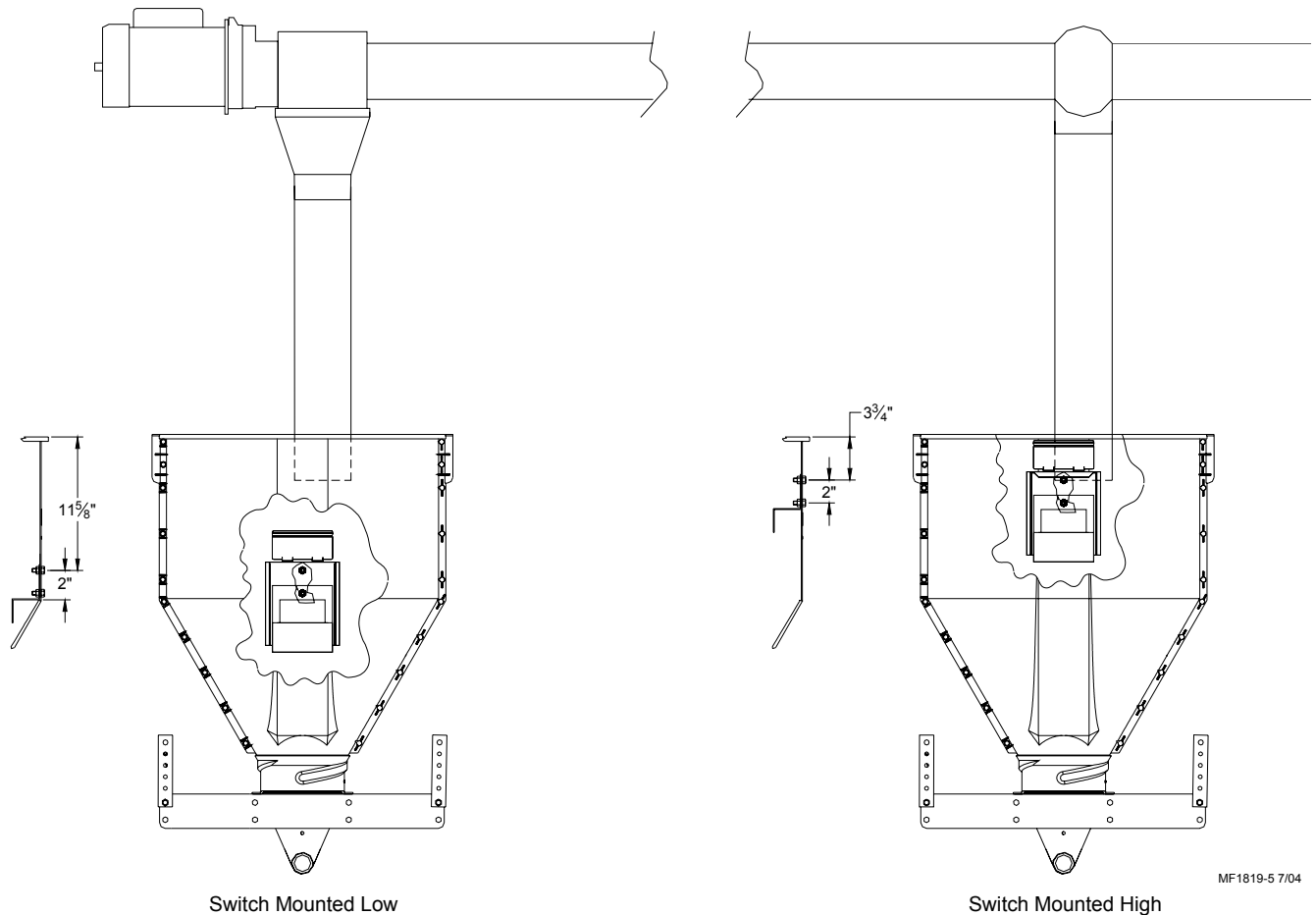


Figure 4. Hopper Level Control Installation.

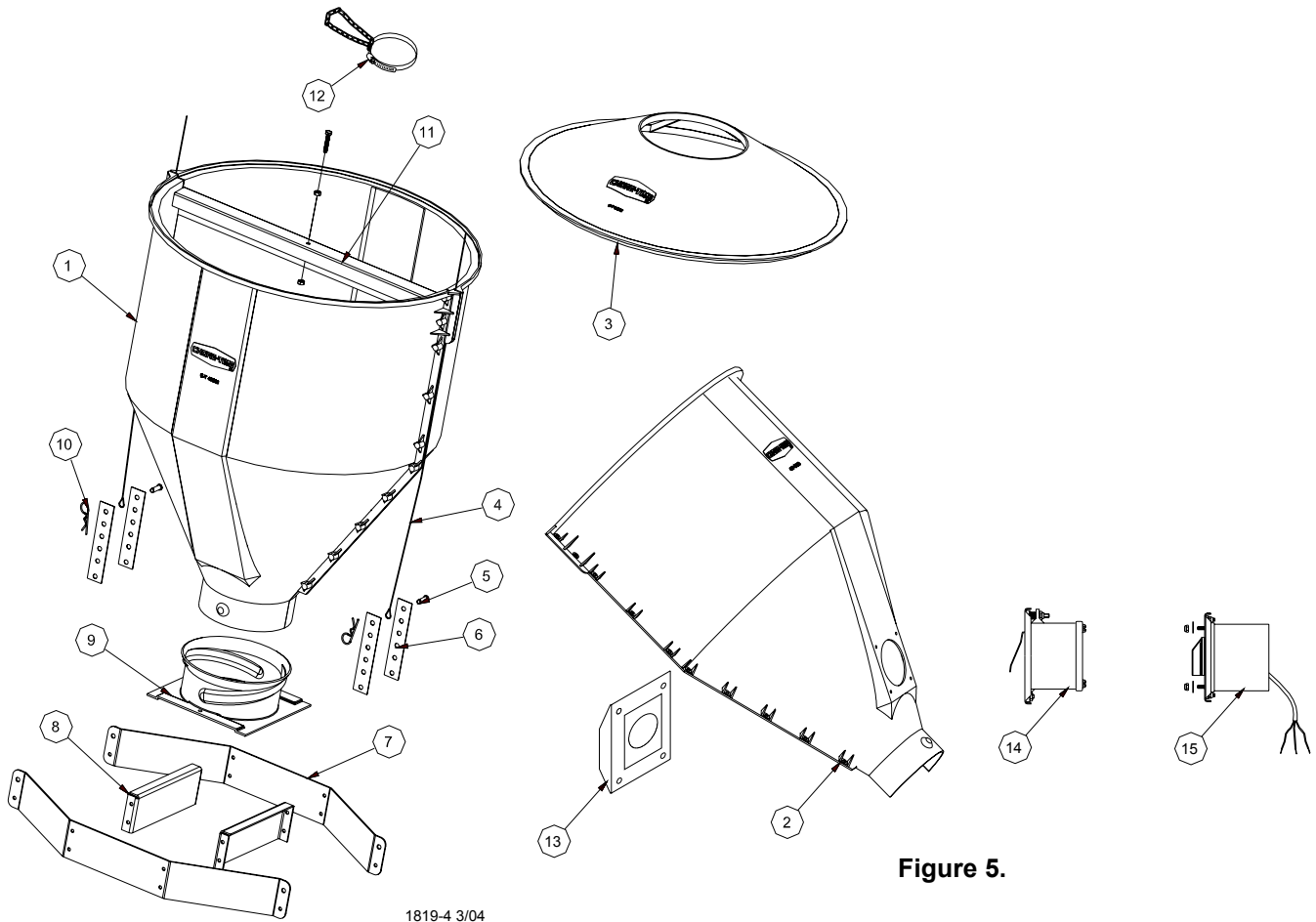


Figure 5.

Key	Description	48926	49267	49268	49269
1	Hopper Half	49028	49028	49028	49028
2	Hopper Half (Machined)	--	--	49270	49270
3	Cover	--	48675	48675	48675
4	Cable Assembly	2809-3	2809-3	2809-3	2809-3
5	Clevis Pin	2797-1	2797-1	2797-1	2797-1
6	Adjustment Bracket	2706	2706	2706	2706
7	Suspension Angle	48679	48679	48679	48679
8	Suspension Brace	48680	48680	48680	48680
9	Twist Lock Collar	49041	49041	49041	49041
10	Hairpin	2664	2664	2664	2664
11	Brace	49029	49029	49029	49029
12	Tube Support Assembly	14367	14367	14367	14367
13	Diaphragm Assembly	--	--	**7900	--
*14	Lower Hopper Switch	--	--	**7840	--
*15	Sensor Plus Switch	--	--	--	46910

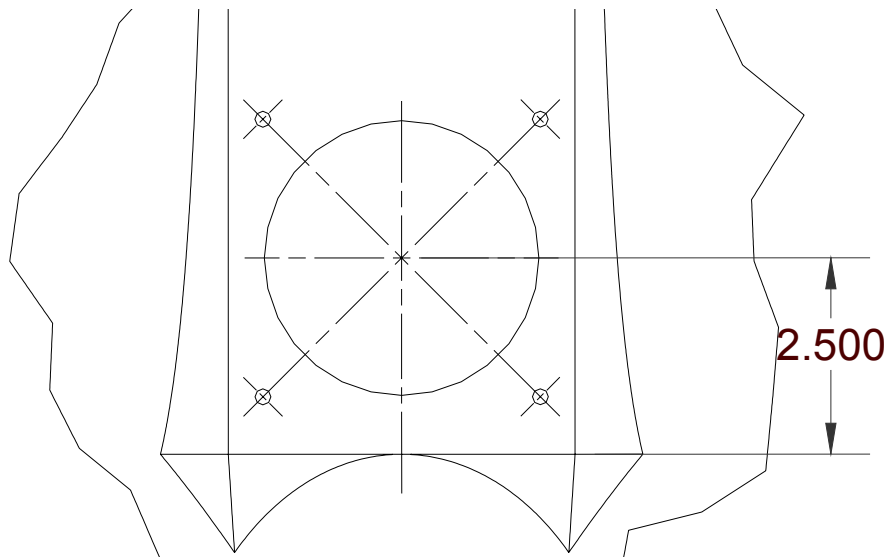
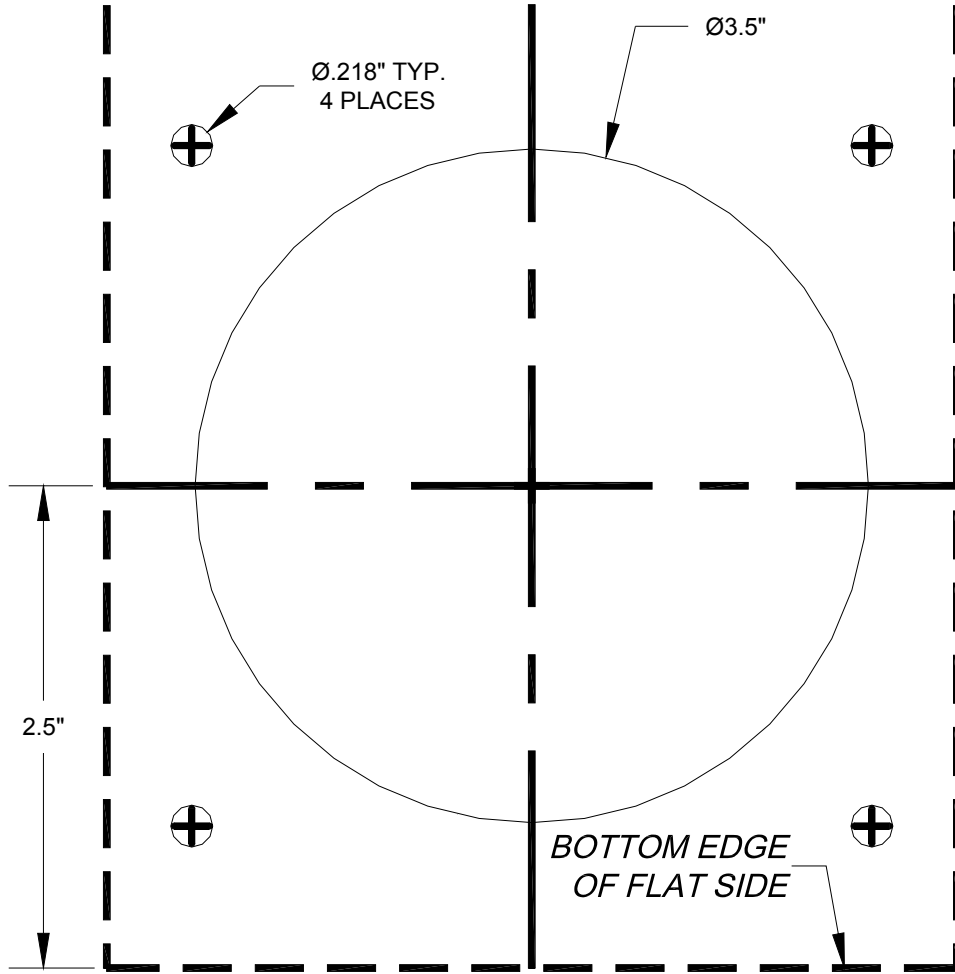
*Refer to application manual for wiring instructions.

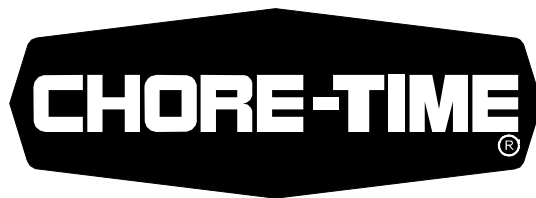
**These components may be ordered as an assembly under Part No. 8798.

This page left blank for notes.

Drilling Template for retrofitting 150lb hopper half with lower switch.

*CENTER THE TEMPLATE ON THE
FLAT SIDE OF THE HOPPER HALF*





Made to work.

Built to last.SM

Contact your nearby Chore-Time distributor or representative for additional parts and information.

**CTB Inc.
P.O. Box 2000 • Milford, Indiana 46542-2000 • U.S.A.
Phone (574) 658-4101 • Fax (877) 730-8825
E-mail: poultry@choretime.com • Internet: <http://www.choretime.com>**

Printed in the U.S.A.