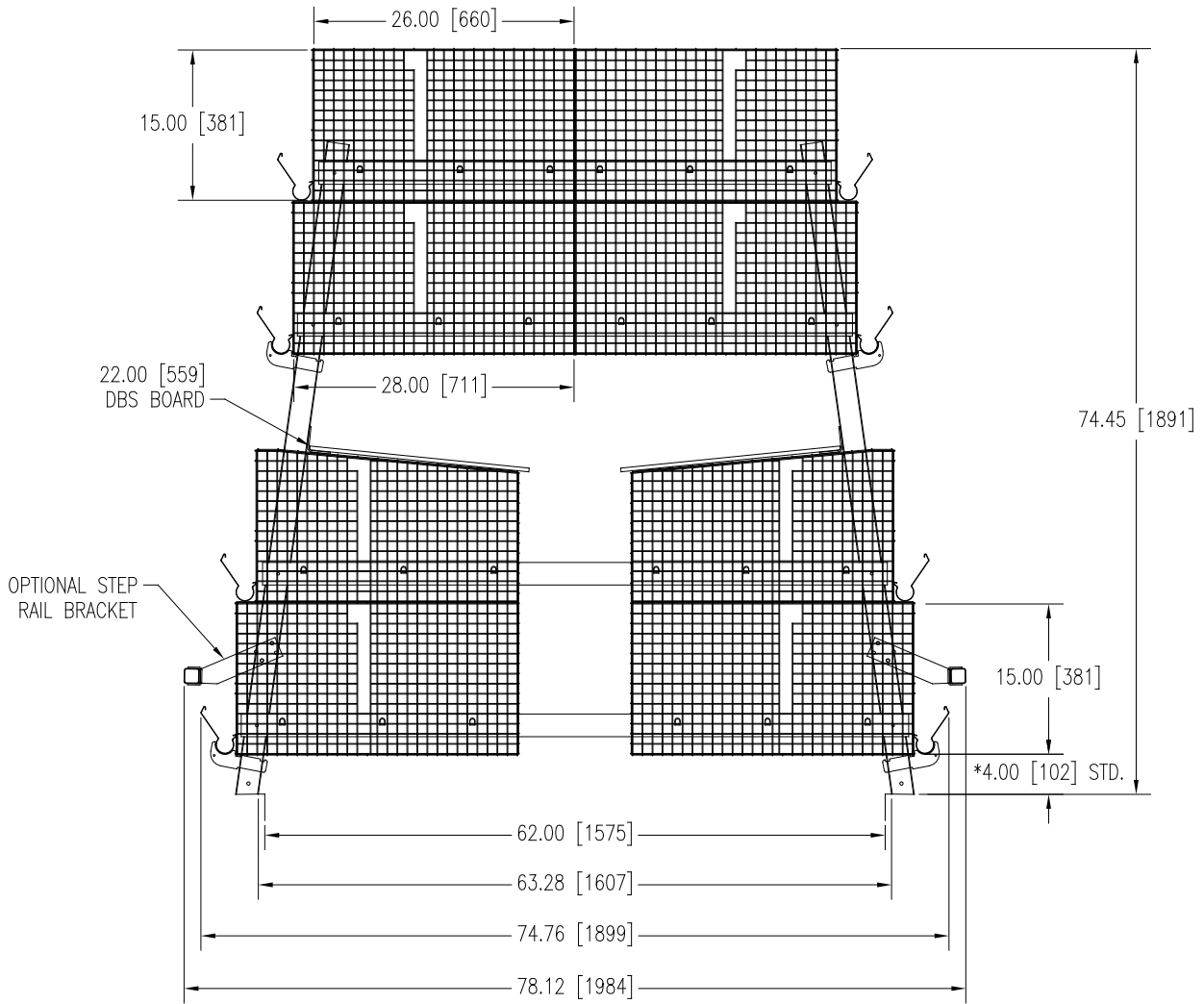


2+2 BROOD GROW DBS

With CT Watering



in[mm]

*LEG HEIGHTS AVAILABLE: 4.0 [102] - 8.0 [203]

CAGE DEPTH CAGE WIDTH	FLOOR AREA	BIRDS PER CAGE	BIRD SPACE	
			in ²	cm ²
26" [660mm] 30" [762mm] 1st (Top) and 3rd Tiers	780 in ² 5032.25 cm ²	16	48.8	314.52
		17	45.9	296.01
		18	43.3	279.57
28" [11mm] 30" [762mm] 2nd and 4th Tiers	840 in ² 5419.34 cm ²	17	49.4	318.79
		18	46.6	301.08
		19	44.2	285.23