

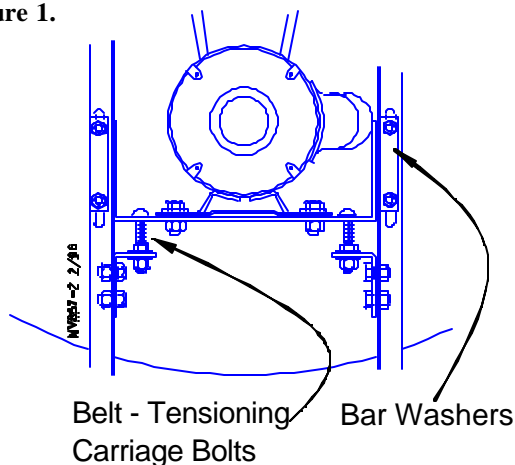
36" Belt Drive Fan

Model 27150-3PH
27150-50Hz
27150LM

Assembly

1. Remove rear wire screen by cutting off plastic ties. Remove and discard shipping wire between pulley and post. Release "V" belt from shipping position.
2. Remove and save all four 5/16-18 x 3/4" carriage bolts and nuts attaching motor mount (with motor attached) to post. BE CAREFUL when removing bolts...the motor assembly is quite heavy and should be supported during this operation. Anticipate bar washers, between motor mount and post, falling when bolts are removed. Swivel the motor mount assembly into position against the posts aligning rectangle holes with slots on posts.
3. Install "V" belt on bearing pulley and motor pulley. Allowing the weight of the motor assembly to exert some tension on the belt, reinstall the four 5/16-18 x 3/4" carriage bolt, nuts and bar washers. Hand tighten nuts only, do not fully tighten at this time. See **Figure 1**.
4. Install and position both belt-tensioning carriage bolts, washers, and nuts (supplied in the hardware package) between the motor mount and the "L" brackets. See **Figure 1**.
5. Adjust both belt-tensioning carriage bolts to achieve desired belt tension. Both bolts should be adjusted

Figure 1.



equally to insure proper motor mount to post alignment. When desired tension is achieved, tighten the belt-tensioning carriage bolts against the "L" brackets. Tighten the 5/16 -18 x 3/4" hardware.

6. Reinstall the rear wire screen, using plastic ties supplied in the hardware package.
7. Provide electrical supply to the fan motor and wire according to the instructions shipped with the control or thermostat.

To Retension "V" Belt

It is not necessary to remove the rear wire screen to retension the "V" belt.

1. Slightly loosen all four 5/16-18 x 3/4" carriage bolts.
2. Adjust both belt tensioning carriage bolts between motor mount and "L" bracket until desired belt tension is achieved.
3. Retighten the 5/16-18 x 3/4" hardware.

To Remove "V" Belt

Remove the rear wire screen when replacing the "V" belt.

1. Loosen (do not remove) (4) 5/16-18 x 3/4" carriage bolts.
2. Loosen (do not remove) nuts on the belt-tensioning bolts and slide lower portion out of slot in "L" brackets.
3. Lift the entire motor assembly until clearance is sufficient for belt to be removed.
4. Install the new belt. Reverse the above procedure.

SPECIAL INSTRUCTIONS

CHORE-TIME strongly recommends belt tension be adjusted after initial 50 hours of operation, to compensate for new belt expansion.

Maintenance

Keep the fan clean for maximum life and best performance. Do not spray with water or cleaning fluids. Remove dirt by dry brushing.

NOTE: Disconnect power before servicing. Fans may start automatically causing serious injury or death.

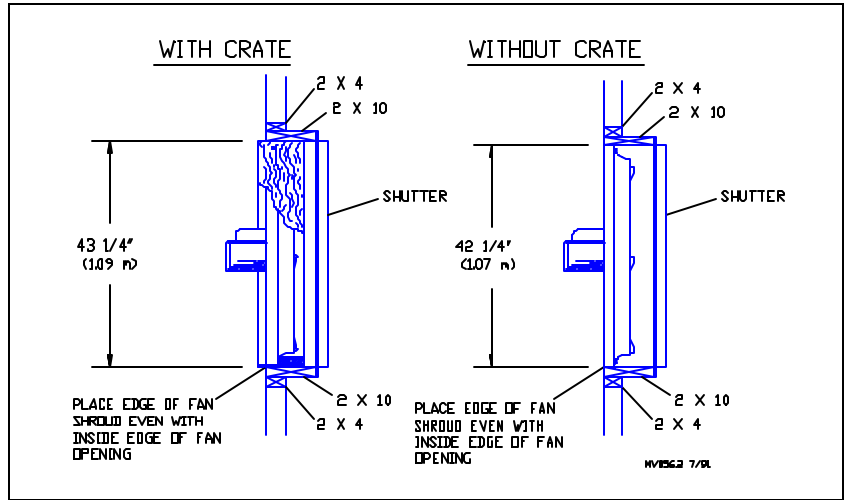
Installation

The fan can be mounted in-wall, or can be suspended from the ceiling. Installation procedure will vary depending on the type of installation desired.

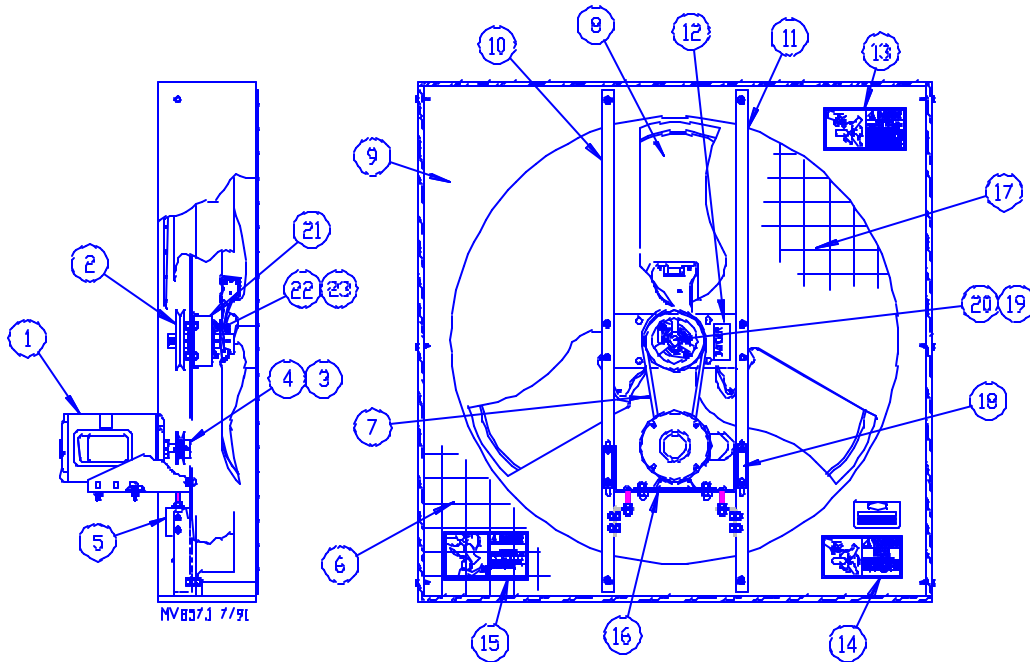
IN-WALL: See the framing diagrams in **Figure 2** for framing dimensions.

CEILING SUSPENSION: Use the two 3/8" (9.5 mm) holes drilled in the top of the fan assembly. A 13123 Suspension Kit is available, which includes 20' (6 m) of chain, two eye-bolts with nuts, two screw hooks and four "S" hooks.

Figure 2.



36" Belt Drive Fan Parts List



Item	Description	Part No.
1.	Motor	8304
	Motor - 3PH, 60Hz	4714
	Motor - 50Hz	8304-50HZ
2.	Pulley	27737
3.	Key, 3/16 x 1	2112-1
4.	Pulley - 60Hz	4906
	Pulley - 50Hz	8773
5.	"L" Bracket	27163
6.	Wire Screen	29039
7.	"V" Belt	1322
8.	Fan Blade	27158
9.	Fan Shroud	5538
10.	Post, (L.H.)	27153-2

Item	Description	Part No.
11.	Post, (R.H.)	27153-1
12.	Danger Decal	2527-10
13.	Danger Decal	2527-13
14.	Warning Decal	2527-40
15.	Danger Decal	2527-39
16.	Motor Support	27155
17.	Wire Screen	29038
18.	Bar Washer	27170
*19.	Key, 3/16 x 1	2112-1
*20.	Shaft	27164
*21.	Bearing Mount Ass'y	8197
*22.	Flangette	20192-1
*23.	Bearing Ass'y	20192-5

NOTE: The 27150 Belt Drive 36" Panel Fan includes a standard 1/2 HP, 60Hz Dual Voltage Motor. The fan assembly is available without the motor as Chore-Time Part No. 27150LM, with a 50Hz, single phase 220V motor as 27150-50Hz, or with a 60Hz, three phase 230/460V motor as 27150-3PH

* These parts can be ordered as Part No. 28676 Bearing Ass'y.

Contact your nearby Chore-Time distributor or representative for additional parts and information.
 Chore-Time Equipment, A Division of CTB, Inc.
 P.O. Box 2000, Milford, Indiana 46542-2000 U.S.A.

SAFETY INFORMATION

CHORE-TIME is concerned about the safety of its customers. Caution, Warning and Danger decals have been placed on the equipment to warn of potentially dangerous situations. Care should be taken to keep this information intact and easy to read at all times. Replace missing or damaged safety decals.

Safety-Alert Symbol

This is a safety-alert symbol. When you see this symbol on your equipment, be alert to the potential for personal injury.



Signal Words

Signal words are used in conjunction with the safety-alert symbol to identify the severity of the warning.

DANGER identifies immediate hazards which **WILL** result in severe personal injury or death.

WARNING identifies hazards or unsafe practices which **COULD** result in severe personal injury or death.

CAUTION identifies hazards or unsafe practices which **COULD** result in minor personal injury or product or property damage.



DANGER



WARNING



CAUTION

IMPORTANT

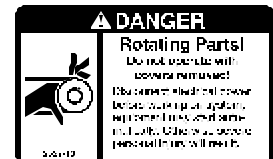
Chore-Time Equipment, Inc. strongly recommends that a good alarm system should be installed in confinement buildings to warn of power failure and high temperature.

Chore-Time Equipment recommends that an alternate power source be available for confinement buildings in case of power failure.

THESE DECALS ARE PLACED ON THE SHROUD OF THE 36" FAN

DANGER--ROTATING PARTS

Severe personal injury will result, if the equipment is operated without covers properly installed, and if equipment starts automatically while in contact with rotating parts.



DANGER--ELECTRICAL HAZARD

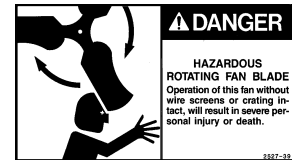
Disconnect electrical power before inspecting or servicing equipment unless maintenance instructions specifically state otherwise.

Ground all electrical equipment for safety.

All electrical wiring must be done by a qualified electrician in accordance with local and national electric codes.

Ground all non-current carrying metal parts to guard against electrical shock.

Electrical disconnects and over current protection are not supplied with the equipment, with the exception of motor overload protection.



Warranty Information

Chore-Time Equipment warrants each new product manufactured by it to be free from defects in material or workmanship for one year from the date of initial installation by the original purchaser. If such a defect is found by Chore-Time to exist within the one year period, Chore-Time will, at its option, (a) repair or replace such product free of charge, F.O.B. the factory of manufacture, or (b) refund to the original purchaser the original purchase price, in lieu of such repair or replacement.

Additional extended warranties are herewith provided to the original purchaser as follows:

1. RLX Fans, less motors, for three years from date of installation.
2. Poultry feeder pans that become unusable within five years from date of installation. Warranty prorated after three years usage.
- *3. Rotating centerless augers, excluding applications involving High Moisture Corn (exceeding 18%), for ten years from date of installation. Note: MULTIFLO® and applications involving High Moisture Corn are subject to a one year warranty.
4. Chore-Time manufactured roll-formed steel auger tubes for ten years from date of installation.
5. Laying cages that become unusable within ten years. Warranty prorated after three years usage.
- *6. ULTRAFLO® Auger and ULTRAFLO® Feed Trough (except ULTRAFLO® Trough Liners) are warranted for a period of five (5) years from date of original purchase against repeated breakage of the auger or wear-through of the feed trough.

Conditions and limitations:

1. The product must be installed and operated in accordance with instructions published by Chore-Time or warranty will be void.
2. Warranty is void if all components of a system are not supplied by Chore-Time.
3. This product must be purchased from and installed by an authorized Chore-Time dealer or certified representative thereof, or the warranty will be void.
4. Malfunctions or failure resulting from misuse, abuse, negligence, alteration, accident, or lack of proper maintenance shall not be considered defects under this warranty.
5. This warranty applies only to systems for the care of poultry and livestock. Other applications in industry or commerce are not covered by this warranty.

Chore-Time shall not be liable for any consequential or special damage which any purchaser may suffer or claim to have suffered as a result of any defect in the product. "Consequential" or "special damages" as used herein include, but are not limited to, lost or damaged products or goods, costs of transportation, lost sales, lost orders, lost income, increased overhead, labor and incidental costs and operational inefficiencies.

THIS WARRANTY CONSTITUTES CHORE-TIME'S ENTIRE AND SOLE WARRANTY AND CHORE-TIME EXPRESSLY DISCLAIMS ANY AND ALL OTHER WARRANTIES, INCLUDING, BUT NOT LIMITED TO, EXPRESS AND IMPLIED WARRANTIES AS TO MERCHANTABILITY, FITNESS FOR PARTICULAR PURPOSE SOLD AND DESCRIPTION OR QUALITY OF THE PRODUCT FURNISHED HEREUNDER.

Any exceptions to this warranty must be authorized in writing by an officer of the company. Chore-Time reserves the right to change models and specifications at any time without notice or obligation to improve previous models.

*See separate "WARRANTY ADDITION" as to these products

CHORE-TIME EQUIPMENT, A Division of CTB, Inc.
P.O. Box 2000, Milford, Indiana 46542-2000 U.S.A.

Printed in the U.S.A.