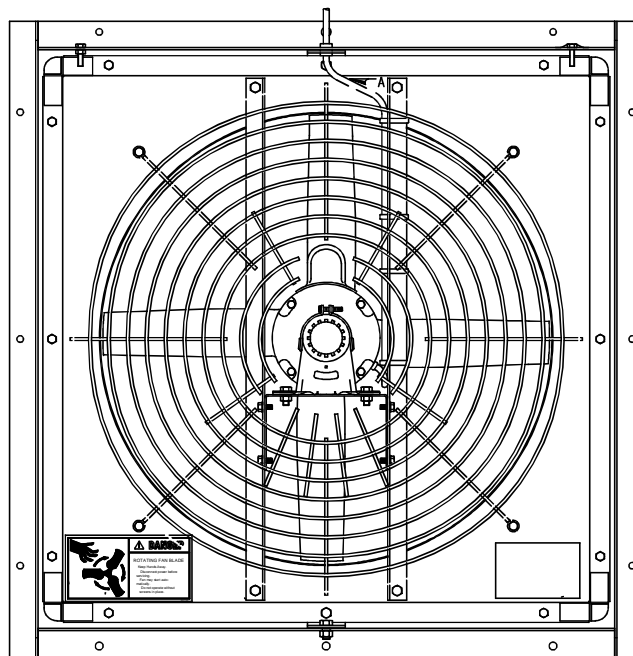


24" Turnabout Fan

Installation & Operator's Instruction Manual



MV905-7 10/99

Chore-Time Warranty

Chore-Time Equipment ("Chore-Time") warrants each new Chore-Time product manufactured by it to be free from defects in material or workmanship for one year from and after the date of initial installation by or for the original purchaser. If such a defect is found by the Manufacturer to exist within the one-year period, the Manufacturer will, at its option, (a) repair or replace such product free of charge, F.O.B. the factory of manufacture, or (b) refund to the original purchaser the original purchase price, in lieu of such repair or replacement. Labor costs associated with the replacement or repair of the product are not covered by the Manufacturer.

Conditions and Limitations

1. The product must be installed by and operated in accordance with the instructions published by the **Manufacturer or Warranty will be void.**
2. Warranty is void if **all components** of the system are not original equipment supplied by the **Manufacturer.**
3. This product must be purchased from and installed by an authorized distributor or certified representative thereof or the Warranty will be void.
4. Malfunctions or failure resulting from misuse, abuse, negligence, alteration, accident, or lack of proper maintenance shall not be considered defects under the Warranty.
5. This Warranty applies only to systems for the care of poultry and livestock. Other applications in industry or commerce are not covered by this Warranty.

The **Manufacturer** shall not be liable for any **Consequential or Special Damage** which any purchaser may suffer or claim to suffer as a result of any defect in the product. "**Consequential**" or "**Special Damages**" as used herein include, but are not limited to, lost or damaged products or goods, costs of transportation, lost sales, lost orders, lost income, increased overhead, labor and incidental costs and operational inefficiencies.

THIS WARRANTY CONSTITUTES THE MANUFACTURER'S ENTIRE AND SOLE WARRANTY AND THIS MANUFACTURERE EXPRESSLY DISCLAIMS ANY AND ALL OTHER WARRANTIES, INCLUDING, BUT NOT LIMITED TO, EXPRESS AND IMPLIED WARRANTIES AS TO MERCHANTABILITY, FITNESS FOR PARTICULAR PURPOSES SOLD AND DESCRIPTION OR QUALITY OF THE PRODUCT FURNISHED HEREUNDER.

Chore-Time Distributors are not authorized to modify or extend the terms and conditions of this Warranty in any manner or to offer or grant any other warranties for Chore-Time products in addition to those terms expressly stated above. An officer of CTB, Inc. must authorize any exceptions to this Warranty in writing. The Manufacturer reserves the right to change models and specifications at any time without notice or obligation to improve previous models.

Effective: **July 2002**

Chore-Time Equipment
A Division of CTB, Inc.
P.O. Box 2000 • Milford, Indiana 46542-2000 • U.S.A.
Phone (219) 6584101 • Fax (219) 658-4171
Email: ctb@ctbinc.com • Internet: <http://www.ctbinc.com>

Thank You

The employees of Chore-Time Equipment would like to thank your for your recent Chore-Time purchase. If a problem should arise, your Chore-Time distributor can supply the necessary information to help you.

Contents

Topic	Page	User
Chore-Time Warranty	2	C, D
Support Information	4	
General	4	C, D, I
Distributor and Installer Information	4	
About This Manual	5	C, D, I
Safety Information	5	C, I
Safety–Alert Symbol	5	
Understanding Signal Words	5	
Follow Safety Instructions	6	
Decal Descriptions	6	
Technical Information	7	C, I
24" Turnabout Fan Installation	8	I
Fan and Framing Dimensions	8	
Wiring	9	
Maintenance	9	
Parts List	10	C, D, I
24" Turnabout Fan Part No. 2189	10	

General

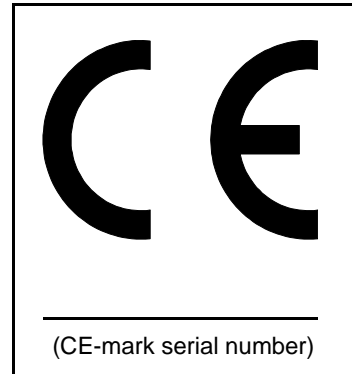
Support Information

Using this equipment for any other purpose or in a way not within the operating recommendations specified in this manual will void the warranty and may cause personal injury.

This manual is designed to provide comprehensive planning, installation, safety, operation, and parts listing information. The Table of Contents provides a convenient overview of the information in this manual. The Table of Contents also specifies which pages contain information for the sales personnel, installer, and consumer (end user).

IMPORTANT: CE stands for "Certified Europe". It is a standard which equipment must meet or exceed in order to be sold in Europe. CE provides a benchmark for safety and manufacturing issues. **CE is required only on equipment sold in Europe.**

Chore-Time Equipment recognizes the CE Mark and pursues compliance in all applicable products. *Fill in the CE-Mark serial number in the blank space provided for future reference.*



Distributor and Installer Information

Please fill in the following information about your Product.
Keep this manual in a clean, dry place for future reference.

Distributor's Name _____

Distributor's Address _____

Distributor's Phone _____ **Date of Purchase** _____

Installer's Name _____

Installer's Address _____

Installer's Phone _____ **Date of Installation** _____

System Specifications _____

About This Manual

The intent of this manual is to help you in two ways. One is to follow step-by-step in the order of assembly of your product. The other way is for easy reference if you have questions in a particular area.

Important ! Read ALL instructions carefully before starting construction.

Important ! Pay particular attention to all SAFETY information.

- *Metric measurements are shown in millimeters and in brackets, unless otherwise specified. “ ” equals inches and “ ’ ” equals feet in English measurements.*

Examples:

1" [25.4]

4' [1 219]

- Optional equipment contains necessary instructions for assembly or operation.
- Major changes from the last printing will be listed on the back cover.
- This Planning Symbol is used in areas where planning needs to take place before construction continues.
- Very small numbers near an illustration (*i.e.*, 1257-48) are identification of the graphic, not a part number.



Safety Information

Caution, Warning and Danger Decals have been placed on the equipment to warn of potentially dangerous situations. Care should be taken to keep this information intact and easy to read at all times. Replace missing or damaged safety decals immediately.

Using the equipment for purposes other than specified in this manual may cause personal injury and/or damage to the equipment.



Safety–Alert Symbol

This is a safety–alert symbol. When you see this symbol on your equipment, be alert to the potential for personal injury. This equipment is designed to be installed and operated as safely as possible...however, hazards do exist.

Understanding Signal Words

Signal words are used in conjunction with the safety–alert symbol to identify the severity of the warning.



DANGER indicates an imminently hazardous situation which, if not avoided, **WILL** result in death or serious injury.



WARNING indicates a potentially hazardous situation which, if not avoided, **COULD** result in death or serious injury.



CAUTION indicates a hazardous situation which, if not avoided, **MAY** result in minor or moderate injury.

Safety Information

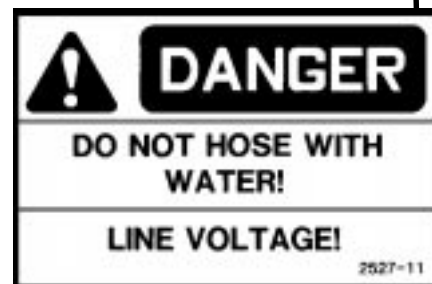
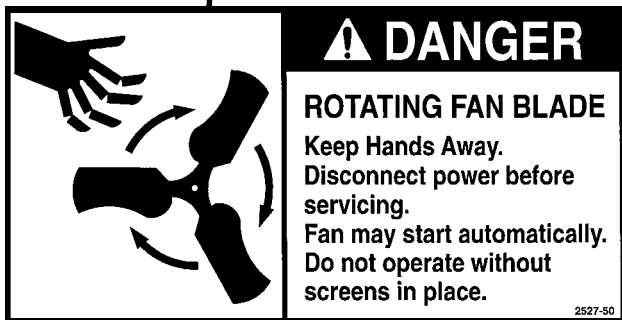
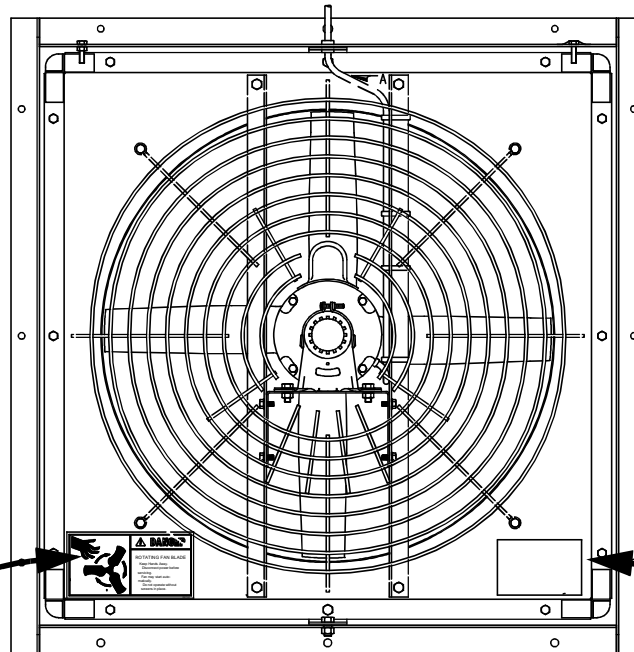
Follow Safety Instructions

Carefully read all safety messages in this manual and on your equipment safety signs. Follow recommended precautions and safe operating practices.

Keep safety signs in good condition. Replace missing or damaged safety signs.

Decal Descriptions

This diagram shows the proper location of the safety decals as shipped from the factory. Replace damaged or missing decals. Make sure the decals are easy to see at all times.



Technical Information

Motor Specifications:		
	Horsepower	1/3 HP
	Voltage	230 V
	Hz.	60 Hz.
	Phase	Single Phs.
	R.P.M.	1075 R.P.M.
Blade:		
	Size	24" (610 mm)
	Type	Cast Aluminum
Fan Assembly:		
	Weight	90 lbs. (40.8 kg)

Important ! Chore-Time Equipment strongly recommends that a good alarm system should be installed in confinement buildings to warn of power failure and high temperature.

Chore-Time Equipment also recommends that an alternate power source be available for confinement buildings in case of power failure.

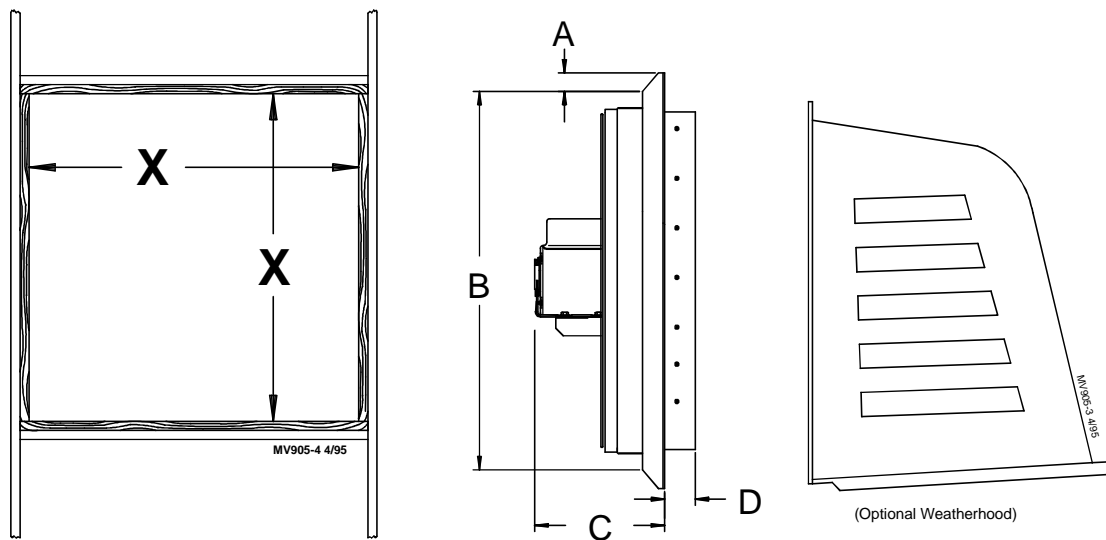
24" Turnabout Fan Installation

The Turnabout Fan can be mounted in either of two ways:

1. Fan unit mounted from inside, with or without the Weatherhood mounted on the outside.
2. Fan unit mounted from outside. (Weatherhood cannot be used when fan is mounted from outside.)

Build wall framing as suggested by the Fan and Framing dimensions, see Figure 1. The required inside wall opening is 30-3/4" x 30-3/4" (78 cm x 78 cm).

Fan and Framing Dimensions



Fan Model	Dimension				
	A	B	C	D	X
24 TA	1-1/2 (38 mm)	30-1/2 (77.5 cm)	10-1/2 (26.7 cm)	2-1/2 (63 mm)	30-3/4 (78 cm)

Figure 1. Fan and Framing Dimensions (side view)

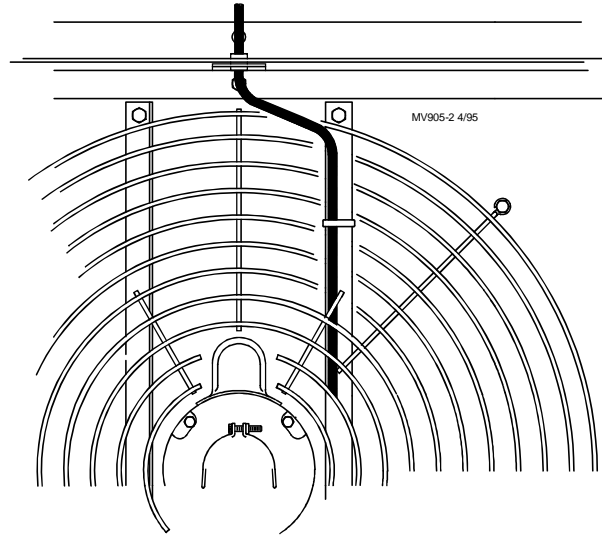
Turnabout Fans are shipped completely assembled and need only to be fastened to the wall framing with the lag screws provided.

Position the Weatherhood so the fan will have clearance to be turned around for reverse airflow. Flat washers and nails are included for fastening it to the outside of the building.

Wiring

Wire the motor to fan controls according to the instructions packed with the fan controls.

IMPORTANT: Fan wiring must be threaded through the top pivot bracket. Otherwise, turning the fan will cut the electric wire. See Figure 2.



Maintenance

Service and maintenance of fans should be done only by a qualified technician.

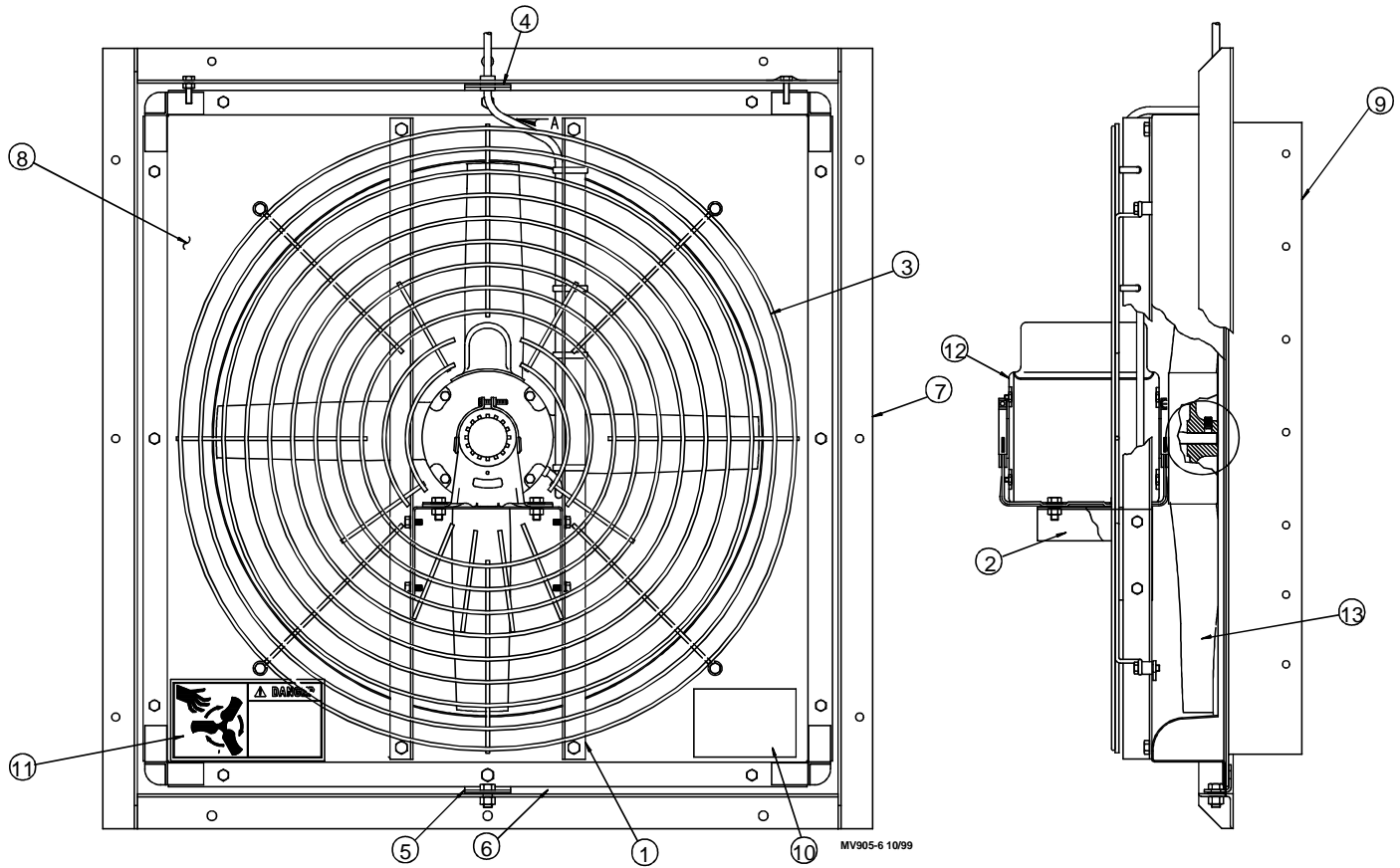
DISCONNECT POWER PRIOR TO MAINTAINING OR CLEANING THE FAN!
The fan may start automatically causing serious injury or death.

Keep the fan clean for maximum life and best performance.

Do not spray motor with water or cleaning fluids; Remove dirt with a dry brush.

Parts List

24" Turnabout Fan Part No. 2189



Item	Description	Part No
1	Post	14983
2	Post Bracket	14984
3	Fan Grill	2130
4	Top Pivot Weldment	2165
5	Bottom Pivot Bracket	2166
6	Weather Strip	2167
7	Turnabout Frame Wldt.	2175
8	Shroud Weldment	2405
9	24" Shutter	24119
10	Danger Decal	2527-11
11	Danger Decal	2527-50
12	1/3 HP Motor	3005
13	24" Fan Blade	4146
--	Weatherhood Black	14832
	White	6950

**This Page
Currently
Not in Use**



**Made to work.
Built to last.**

Revisions to this Manual

Page No.	Description of Change
	This revision was reverted back to revision A only with minor changes.

Contact your nearby Chore-Time distributor or representative for additional parts and information.

**CTB Inc.
P.O. Box 2000 • Milford, Indiana 46542-2000 • U.S.A.
Phone (219) 658-4101 • Fax (800) 333-4191
E-Mail: ctb@ctbinc.com • Internet: <http://www.ctbinc.com>**

Printed in the U.S.A.